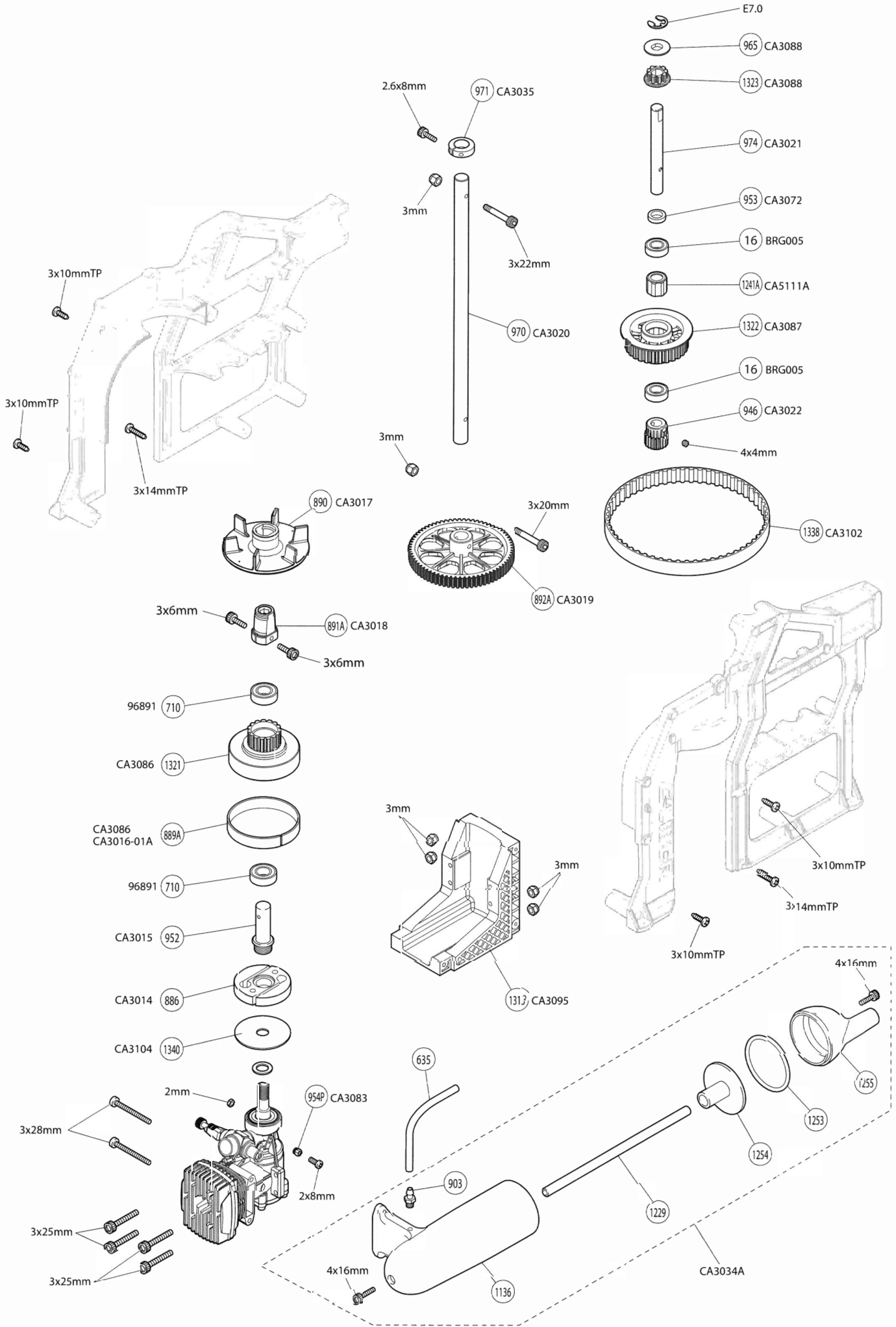


< EXPLODED VIEW (3) >



< EXPLODED VIEW (4) >

